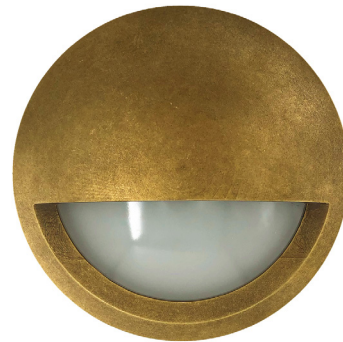




EXTERIOR LED SURFACE MOUNTED STEP LIGHTS IP65

Exterior Lighting



STE19 & 20
(Antique Brass)



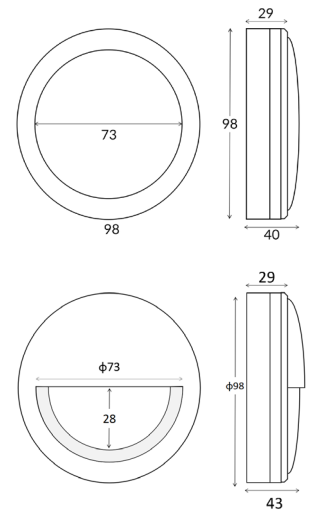
STE21 & 22
(Antique Brass)



New



STE26
(Brass)



- Exterior LED surface mounted step lights
- Input voltage range: 12-14V / 220-240V
- Material: solid brass
- Diffuser: PC
- LED chips: 12pcs 2835 LED
- Power factor: 0.98
- Ambient temp: -40 to 85°C
- 12V fitting requires external control gear

 40,000hr Lifetime	 120° Beam Angle	 IP65 Rated	 2YEAR Replacement Warranty
---	--	--	---

PART NO.	DESCRIPTION	KELVIN	LUMENS	WATT	CRI	DIMENSION (mm)	BACK PLATE (mm)	WEIGHT (kg)	BOX (cm)	CARTON QTY
STE19	STEP EYELID LED 240V S/M Antique Brass	3000K	480LM	6W	75	Ø98X43	Ø98	0.68	10.5x10.5x5	1/20
STE20	STEP EYELID LED 12V S/M Antique Brass	3000K	480LM	6W	75	Ø98X43	Ø98	0.68	10.5x10.5x5	1/20
STE21	STEP LED 240V AC S/M Antique Brass	3000K	600LM	6W	75	Ø98X40	Ø98	0.64	10.5x10.5x5	1/20
STE22	STEP LED 12V S/M Antique Brass	3000K	600LM	6W	75	Ø98X40	Ø98	0.64	10.5x10.5x5	1/20
STE26	STEP EYELID LED 240V S/M Aged Brass	3000K	480LM	6W	75	Ø98X43	Ø98	0.68	10.5x10.5x5	1/20

Tested & recommended Drivers (for STE20 & STE22):

DRIV1 / CLA111011 / CLA113011 / CLA115011 / CLA1110011 / CLA1115011 / OTTER1